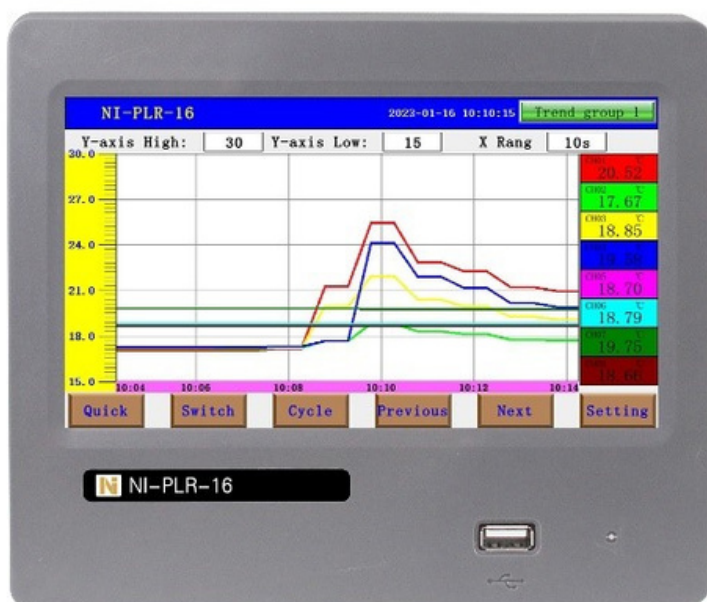


NIPPON INDIA



NI-PLR

PAPERLESS RECORDER



BRIEF INTRODUCTION >>>

NI-PLR IS A 7-INCH COLOR SCREEN PAPERLESS RECORDER, OPERATED WITH TOUCH SCREEN CONVENIENTLY. IT ISOLATED MEASURE CURRENT SIGNAL, VOLTAGE SIGNAL, THERMOCOUPLE OR RTD SENSOR DIRECTLY ON EVERY SINGLE CHANNEL. WITH ARM CORTEX MCU AND 24 BIT $\Delta\Sigma$ AD CONVERTOR INTEGRATED IN EVERY MEASUREMENT MODULE, IT MEASURE VARIOUS SIGNAL PRECISELY. WITH ARM CPU INTEGRATED IN DISPLAY PANEL, IT CAN EASILY CONNECT TO HOST SIDE THROUGH VARIOUS COMMUNICATION INTERFACE. NI-PLR-16 DOES DISPLAY CHANNEL DATA IN MANY FORMS, SUCH AS NUMBER, HISTOGRAM, TIME LINE, ALARM LIST, ETC. IN GENERAL, NI-PLR-16 SAMPLE CHANNEL DATA, PRESERVE OR TRANSFORM IT, THEN DISPLAY IT, FINALLY RECORD IT PERIODICALLY.

APPLICATIONS >>>

ENVIRONMENTAL PROTECTION / SCIENCE AND EDUCATION / AUTOMATION INDUSTRY / CHEMICALS & PHARMA INDUSTRY / R&D LABORATORY ETC.

16 INPUT CHANNEL >>>

1. CURRENT SIGNAL: $\pm 4\sim 20$ MA CURRENT SOURCE
2. VOLTAGE SIGNAL: $-100\sim 100$ V, $-10\sim 10$ V, $-1000\sim 1000$ MV, $-100\sim 100$ MV VOLTAGE SOURCE
3. THERMOCOUPLE: R, S, B, K, E, T, J, N (CONFORM TO NIST ITS-90 STANDARD)
4. RTD SENSOR: 3-WIRE PT100, PT1000 (CONFORM TO EN 60 751(ITS-90) STANDARD)

COMMUNICATION INTERFACE >>>

1. RS485 SERIAL PORT - MODBUS

TECHNICAL PARAMETERS>>>

MODEL	NI-PLR
MONITOR	7-inch TFT LCD (800*480 pixels)
TOUCH SCREEN	INDUSTRIAL RESISTIVE TOUCH SCREEN
RATED POWER SUPPLY	AC: 100-240V(50/60HZ), DC:24V(20 WATT)
POWER CONSUMPTION	MAXIMUM 30VA
MAXIMUM INPUT CHANNEL	12,16,24,36,48 Channels
ISOLATION VOLTAGE	300 VDC CHANNEL TO CHANNEL
SAMPLING PERIOD	1000MS(ALL CHANNELS)
RECORDING INTERVAL	1,2,4,6,15,30,60,120,240 SECONDS
INTERNAL STORAGE	4 GB
EXTERNAL STORAGE	USB FLASH DISK(MAX 32GB)(FILES SYSTEM : FAT32)
INSTRUMENT SIZE	186 X 155 X 165MM (WHD)
PANEL CUT-OUT SIZE	138 X 138 X 140MM (WHD)
INSTRUMENT WEIGHT	ABOUT 1.8 KGS

RECORD TIME (INTERNAL STORAGE) VS. SAMPLING CHANNELS AND RECORDING INTERVAL >>>

CHANNELS	RECORD INTERVAL (Example)		
	1 S	15 S	240 S
16	100 DAYS	100 X 15 DAYS	100 X 240 DAYS

MEASUREMENT PARAMETERS >>>

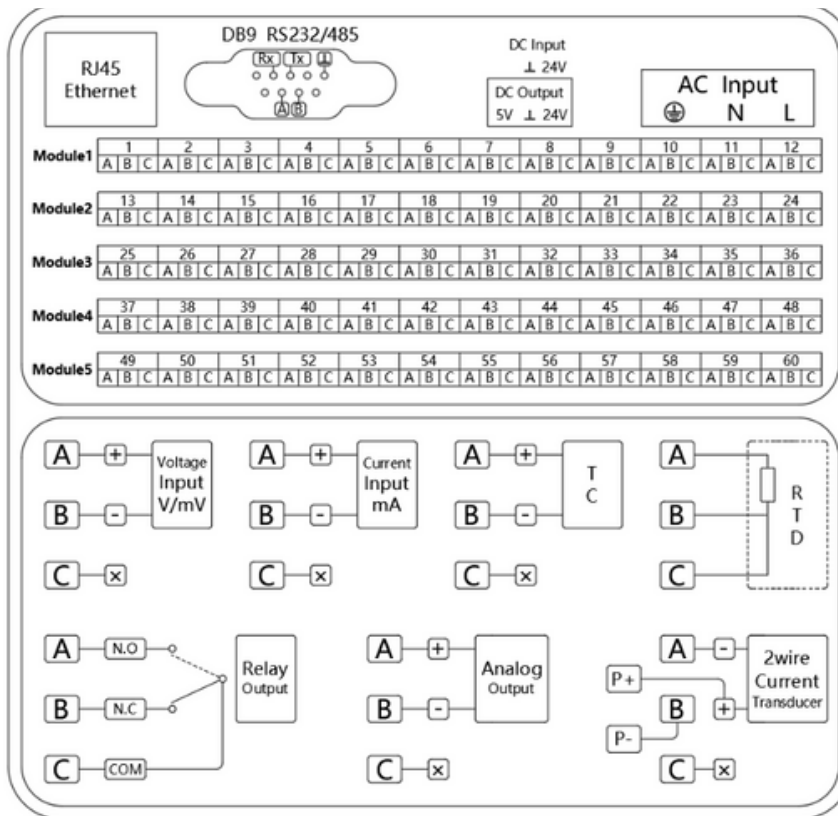
CHANNEL TYPE	RANGE OF MEASUREMENT	RESOLUTION (100,200,500M S)	RESOLUTION (1,2,5 S)	INPUT RESISTANCE	MEASUREMENT ERROR
4-20mA	-25 ~ 25mA	0.001mA	0.00001mA	<200Ω	0.05%+0.01%
100 v	-110~110V	0.01V	0.0001V	>1MΩ	0.05%+0.01%
10 v	-11~11V	0.001V	0.00001V	>1MΩ	0.05%+0.01%
1000mV	-1100 ~ 1100mV	0.1mV	0.001mV	>10MΩ	0.05%+0.01%
100mV	-110~110mV	0.01mV	0.0001mV	>10MΩ	0.05%+0.01%
R	0~1768°C	0.1°C	0.01°C	>10MΩ	±0.1°C
S	0~1768°C	0.1°C	0.01°C	>10MΩ	±0.1°C
B	250~1820°C	0.1°C	0.01°C	>10MΩ	±0.1°C
K	-200~1372°C	0.1°C	0.01°C	>10MΩ	±0.1°C
E	-200~1000°C	0.1°C	0.01°C	>10MΩ	±0.1°C
T	-200~400°C	0.1°C	0.01°C	>10MΩ	±0.1°C
J	-200~1200°C	0.1°C	0.01°C	>10MΩ	±0.1°C
N	-200~1300°C	0.1°C	0.01°C	>10MΩ	±0.1°C
3-W PT100	-200~800°C	0.1°C	0.01°C	-	±0.1°C
3-W PT1000	-200~800°C	0.1°C	0.01°C	-	±0.1°C

NIPPON INDIA



NI-PLR

- 100MV AND 1000MV ARE TYPE OF VOLTAGE MEASUREMENT WITH FLOATING INPUT, SO ITS MEASURING VALUE WILL BE INVALID WITHOUT INPUT SIGNAL.
- 0.05% + 0.01% REPRESENT FOR $\pm(0.05\%$ READING VALUE + 0.01% FULL RANGE VALUE).
- THERMOCOUPLE INTRODUCED BY COLD JUNCTION COMPENSATION, SO ADDITIONAL COLD JUNCTION TEMPERATURE CONDUCTION AND MEASUREMENT ERROR ($\pm 1^{\circ}\text{C}$) NEED TO ADDED.
- THERMOCOUPLE AND RTD SENSORS HAVE SELF-ERROR IN ITSELF, REFERENCE SENSOR DATA SHEET IS NEEDED.



NIPPON INDIA



237/8, New Sonal Link Ind. Estate, Bldg. 2, Link Road, Malad (W),
 Mumbai - 400 064. Tel.: 4062 0000 (Board), Fax : +91 22 - 4062 0099,
 E-mail : sales@nipponindia.com, Home Page : www.nipponindia.com



Your Reliable Power Partner



Autonics



SIPIN